

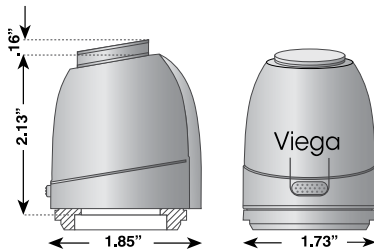
# Product Instructions

**viega**

## Powerhead for Stainless Manifold (24V 4-wire)



### Dimensions



### Applications

The Powerhead is a 4-wire two position actuator for zone control which mounts on the return valve of the Stainless Manifold. A 24 VAC signal actuates the head to open the valve. The position of the valve is normally closed. Upon opening the valve, the integral SPST contacts close.

The Powerhead may be used on both 1-1/4" Stainless Shut Off/Balancing and Stainless Shut Off/ Balancing/Flow Meter Manifolds. These Powerheads will not fit 1" Brass Manifolds.

Typical applications include circulator control when used with Viega Zone Control 18060 or 18062, boiler heat call (T-T) or control of auxiliary devices requiring end-switch contact closure.

### Features

- Integrated micro switch with floating contact
- White in color, Viega logo on front
- Normally closed valve position
- Water resistant
- All around function indicator
- 360° installation position
- Snap-on installation
- Valve adapter concept
- Initially-Open function
- 3.2 ft. connecting wire

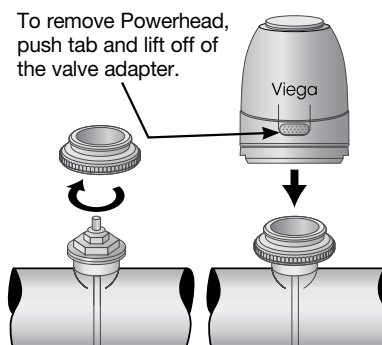
### Specifications

- Voltage: 24VAC
- Max Inrush Current: 250 mA for 2 minutes maximum
- Operating Current: 75 mA
- Closing/Opening Time: Approximately 3 minutes
- Stroke: 4 mm
- Actuating Force: 21lbs.
- Weight: 5.5 oz.
- Fluid Temperature: 32°F - 212°F
- End Switch: Normally Open
- Micro Switch: 24VAC/0.5A
- Switching Point: 2mm

### Installation

Remove plastic cap from return valve.

1. Thread on valve adapter hand tight. Do not use wrench or pliers.
2. Once valve adapter is screwed on, simply snap the powerhead on to the valve adapter. No tools required.



### ON/OFF Indicator

The Powerhead for the Stainless Manifold has a cylinder on the top that will raise and expose blue when the valve is open. You will be unable to see any blue when the valve is in its normal closed position.

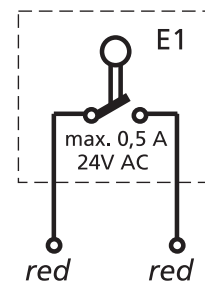
### Initially-Open Function

The Powerhead is delivered in the open position. This allows for easier installations and also allows for the installer to pressure and flow test each circuit before connecting the power.

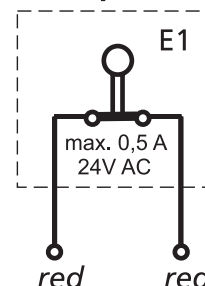
This function is disengaged automatically after the first 6 minutes of powered use.

### End Switch State

#### Actuator "closed"



#### Actuator "open"



**Viega... The global leader in plumbing and heating systems.**

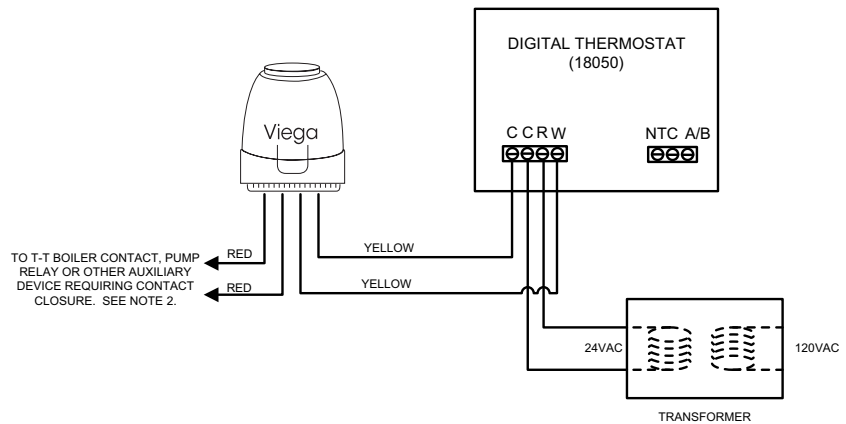
301 N. Main, 9th Floor • Wichita, KS 67202 • Ph: 800-976-9819 • Fax: 800-976-9817 • E-Mail: insidesales@viega.com • www.viega.com

# Product Instructions

**viega**

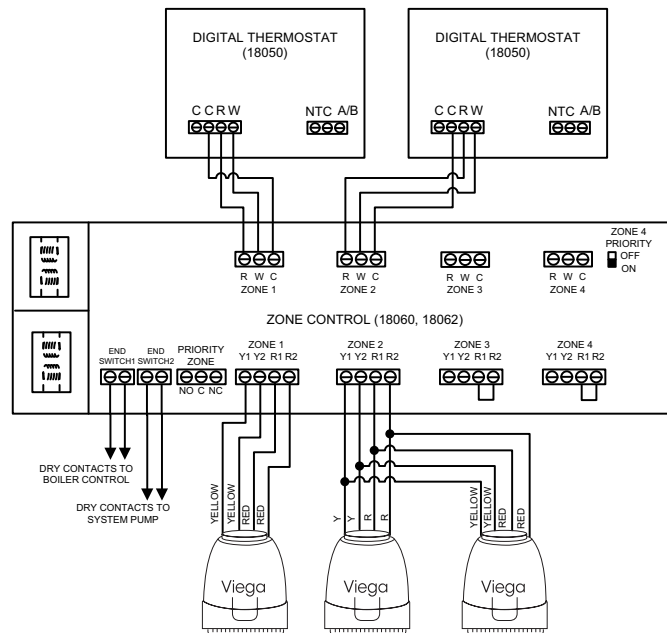
## Wiring Schematic – Powerhead with Digital Thermostat

1. Up to (4) Powerheads may be controlled from a single thermostat without the use of an external relay.
2. Powerhead provides a non-powered, end switch contact closure only upon actuation (valve open).
3. Install Powerheads on system return manifold.
4. Factory jumper between R1 and R2 must be removed for use with 4-wire Powerhead.



## Wiring Schematic – Thermostat and Powerheads with Zone Control

1. Factory jumper between R1 and R2 must be removed for use with 4-wire Powerhead.
2. Install Powerheads on system return manifold.
3. Refer to Zone Control and Thermostat Product Instructions for further details.



NOTE: Installation by a licensed electrician is recommended. Installation and use of this equipment should be in accordance with provisions of the U.S. national electric code, applicable local code and pertinent industry standards.

**Viega... The global leader in plumbing and heating systems.**

301 N. Main, 9th Floor • Wichita, KS 67202 • Ph: 800-976-9819 • Fax: 800-976-9817 • E-Mail: insidesales@viega.com • www.viega.com